

Hydraulic Cylinder

for industrial
automation

FCB - MCB

 **SERVOCOMANDI**

| Brand Incorporated by

NEXOIL

FLUID SYSTEMS MANUFACTURING

www.nexoil.it

NEXOIL products are warranted for a period of one year from date of shipment from our plant to be free from defects in workmanship and material under correct use, normal operating conditions and proper applications as specified on product technical documents. This warranty does not extend to goods damaged, or subjected to accident, abuse, or misuse after shipment from our factory, nor to goods altered or repaired by anyone other than authorized NEXOIL representatives. This one year limited warranty is the only warranty extended by NEXOIL in connection with any sale by NEXOIL. This warranty is in lieu of all other warranties, express or implied, including warranties of merchantability and fitness for a particular purpose. An affirmation of fact or promise made on behalf of NEXOIL shall not be deemed to create an express warranty that the goods shall conform to the affirmation of promise. NEXOIL's obligation upon breach of warranty shall be limited to replacing or repairing at our

option, only at our plant free of charge, but not including installation, dismantling, reassembling or any other charge. Written permission for any warranty claim return must be first obtained from authorized NEXOIL representatives. All returns must be accompanied with a complete written explanation of claimed defects and the circumstances of operational failure. Replacement of cylinders or parts repaired under this warranty shall be warranted under the terms of this warranty for the remainder of the term of the original warranty or for a period of six months after such repair or replacement, whichever is longer. Upon expiration of the warranty, all of NEXOIL obligations hereunder shall terminate.

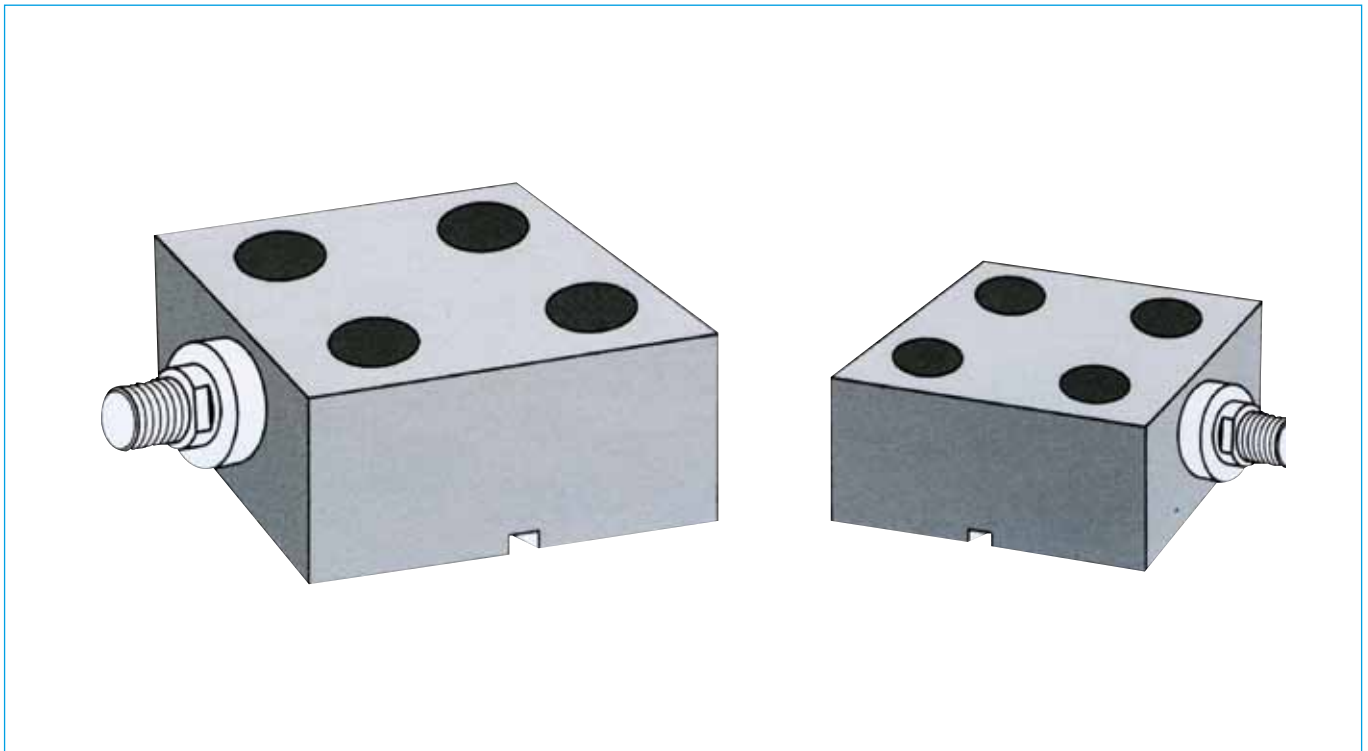
In no event shall NEXOIL have any liability for payment of any consequential, incidental, indirect, special, or tort damages of any kind including, but not limited to, any loss of profits.

The specifications indicated in this catalogue are subject to change, without prior notice, due to our policy of continuous product development.

NEXOIL srl - Servocomandi Division offers to the Fluid Power Transmission Industry a wide range of high performing Hydraulic and Pneumatic cylinders and accessories. Our cylinders are both innovative and suitable for a great deal of applications. These products are the result of the company's vast experience and has acquired us our customers total confidence, these mostly being leaders in their own industry sector. Our ability for working in collaboration with our customers, placing the most successful and functional solutions at their disposal, has cemented and strengthened the existing mutual relationship.

NEXOIL is the ideal partner, thanks to our reliability and confidence in our company.

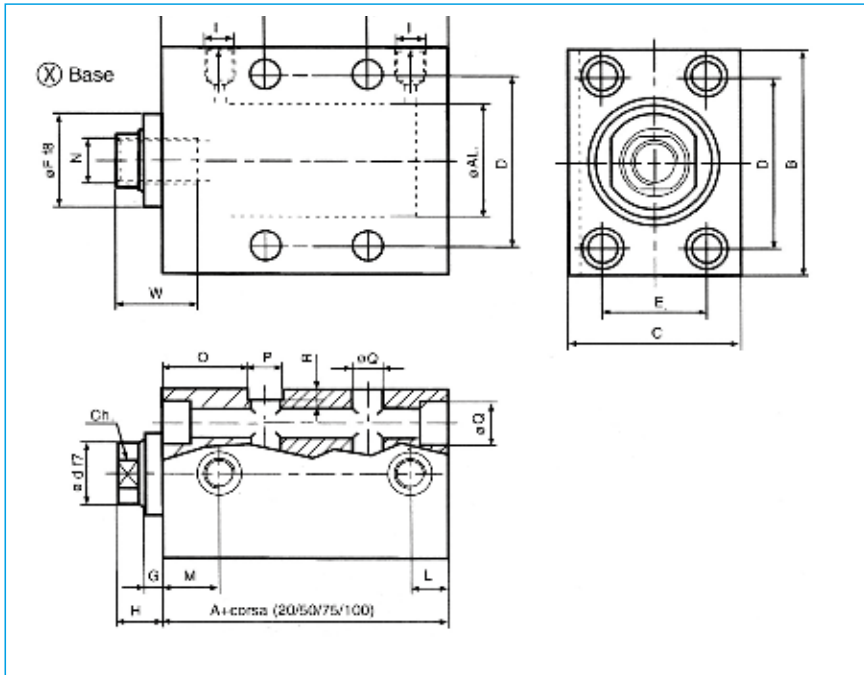
HYDRAULIC CYLINDERS COMPACT SERIES



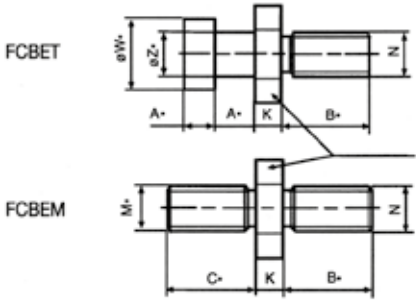
TECHNICAL FEATURES

Series	FCB standard execution - MCB with provision for magnets
Bore sizes	25-32-40-50-63-80-100
Standard strokes	20-50-75-100
Operating pressure	16 MPa (160 bar)
Test pressure	25 MPa (250 bar)
Operating Temperature	Min. -20° Max +80°
Fluids	Hydraulic mineral oil - Phosphoric
Seals	Nitrile+PTFE or Viton+PTFE
Cylinder body	Special light alloy
Cylinder rod	Hard chromium-plated C45 steel

HYDRAULIC CYLINDERS COMPACT SERIES

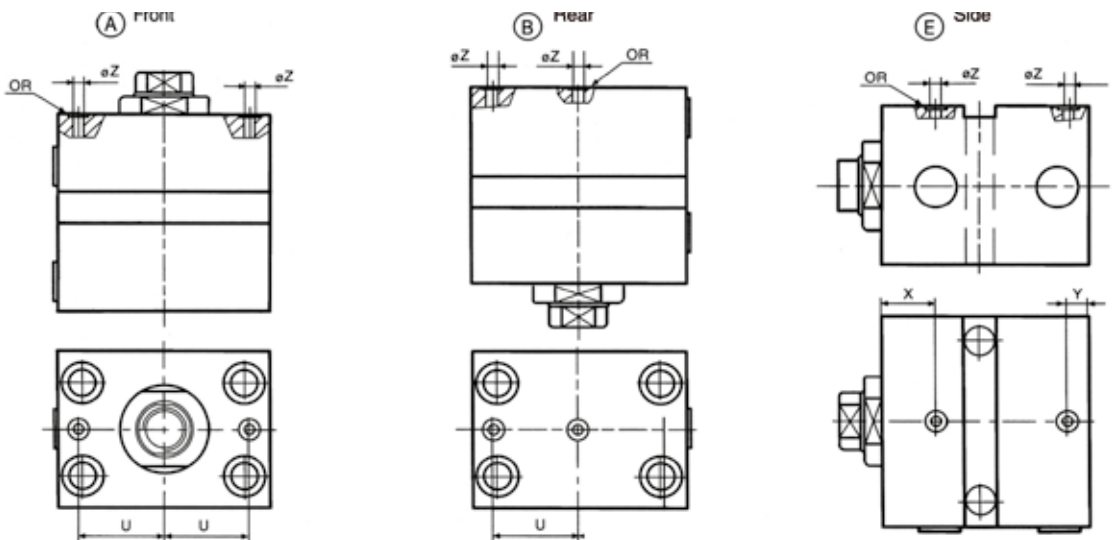


ACCESSORIES



n	A*	B*	Z*	W*	K	N	M*	C*	Ch.
025	7	20	10	16	6	M10	M10x1,25	14	17
032	8	20	11	18	7	M12	M12x1,25	16	19
040	8	25	11	18	8	M14	M14x1,5	18	22
050	10	30	14	22	9	M20	M20x1,5	28	30
080	12,5	38	18	28	12	M27	M27x2	36	36
100	16	48	22	35	14	M33	M33x2	45	46

Port Locations



AL.	d	A+	B	C	Ch.	D	E	F	G	H	I	L	M	N	O	P	Q	R	S	T	U	W	X	Y	Z	OR
25	18	57	65	45	14	50	30	30	6,5	14	G1/4"	12,0	22	M10	32,0	10	8,5	2	37	30	25,5	24	22	7	4	106
32	22	60	75	55	18	55	35	34	8,0	15	G1/4"	12,0	22	M12	34,0	12	10,5	3	40	30	30,0	24	22	7	4	106
40	22	73	85	63	18	63	40	34	7,0	17	G1/4"	14,0	24	M14	37,0	12	10,5	3	43	35	32,5	30	24	10	5	106
50	28	75	100	75	24	76	45	42	8,0	20	G1/4"	14,5	25	M20	37,5	15	13,0	5	45	35	40,0	35	25	10	5	106
63	28	85	115	90	24	90	55	50	7,0	20	G3/8"	21,0	29	M20	47,5	15	13,0	5	55	40	47,5	35	29	15	7	013
80	36	100	140	110	32	110	75	60	7,0	20	G1/2"	25,0	35	M27	50,0	20	17,0	5	60	50	59,0	40	35	17	7	013
100	45	110	170	140	40	135	95	72	8,0	25	G1/2"	20,0	37	M33	60,0	20	17,0	5	70	60	70,0	50	37	20	7	013

How to order:

NOTA: sensors & accessories to be ordered separately

FCB
Series
FCB = Standard
MCB = Magnetic

032
Bore size
025
032
040
050
063
080
100

X
Mounting styles
X = No mounting
A = Front feed
B = Rear feed
E = Side feed

020
Stroke
020 = 20 mm
050 = 50 mm
075 = 75 mm
100 = 100 mm

V
Seals
N = Standard
V = Viton

Accessories

FCBEM Series
040 n

NEXOIL

FLUID SYSTEMS MANUFACTURING

Brands incorporated



SERVOCOMANDI

CANNAROZZI

Nexoil s.r.l.

Sede legale ed amministrativa

Headquarters

Via per Fagnano, 27 - 21052 Busto Arsizio (VA)

Tel. +39 0331 636390 Fax +39 0331 635860

C.F. e P.I. 03175670128

Unità produttiva, commerciale e tecnica

Production, Sales and Technical Dept.s

Corso Moncenisio 18 - 10090 Rosta (TO)

Tel. +39 011 9342434 Fax +39 011 9370532

Ufficio commerciale

Sales Dept.

Via per Fagnano, 27 - 21052 Busto Arsizio (VA)

Tel. +39 0331 636390 Fax +39 0331 635860



ISO 9001

www.nexoil.it