



ELECTRIC PUMPS Slavkov u Brna

4COA (Three-phase) 4COA (Single-phase)

www.mezitalia.com

Specifiche di applicazioni

Le elettropompe 4COA e 9COA sono state progettate per il pompaggio di liquidi refrigeranti, composti da taglio e olio con la massima viscosità 2-1 di 150 mm s (a 20 ° C). con intervallo di temperatura dei liquidi pompati da 0°C a 60°C.

Le pompe 4COA e 9COA sono di design flangiato per il montaggio verticale direttamente sulla parte superiore del serbatoio del refrigerante. Le pompe sono integrali con motore elettrico trifase (4COA) o monofase (9COA) a gabbia di scoiattolo. L'immersione massima e minima deve essere mantenuta e può essere ottenuta dal disegno. Le dimensioni del raccordo sono secondo DIN 5440. Si consiglia di montare l'apertura di aspirazione sull'estremità inferiore della pompa con un setaccio per evitare l'ingresso di impurità nella camera della pompa

Standard costruzione con motore per servizio continuo senza ventilazione, versioni speciali a richiesta.

Application specifications

Electric pumps 4COA and 9COA have been designed for pumping of cooling liquids, cutting compounds and oil with maximum viscosity 2 -1 of 150 mm s (at 20C).and the temperature range of pumped liquids being 0°C to 60°

The 4COA and 9COA pumps are of flanged design for vertical assembly directly on top of the coolant vessel. The pumps are integral with three-phase (4COA) or single-phase (9COA) electric squirrel cage motor. The maximum and minimum immersion must be maintained and can be obtained from the drawing. The fitting dimensions are to DIN 5440. It is recommended to fit the suction opening on the bottom end of the pump with a sieve in order to prevent any ingress of impurities in the pump's chamber.

Standard construction with motor for continuous duty without ventilation , special versions on request

	Type	Head metres	Pressure kPa	Flow		Power W	Current Amps	Speed rpm	Available Immersion mm	Capacitor μF/V
				litres/sec	litres/min					
Three-phase	4COA1	2	20	0.27	16	60	0.23	2800	90,100,120,140,170,220,270	--
Single-phase	9COA1						0.55			6/400
Three-phase	4COA2	4	40	0.42	25	90	0.24	2800	90,100,120,140,170,220,270	--
Single-phase	9COA2						0.61			6/400
Three-phase	4COA4	4	40	0.67	40	120	0.29	2800	100, 120, 170, 220, 270	--
Single-phase	9COA4						0.78			6/400
Three-phase	4COA6	4	40	1.05	63	155	0.38	2800	120, 170, 220, 270	--
Single-phase	9COA6						1.04			9/400
Three-phase	4COA10	4	40	1.67	100	360	0.85	2800	170, 270, 350	--
Single-phase	9COA10						1.80			14/400
Three-phase	4COA14	4	40	2.33	140	410	0.67	2800	170, 270, 350	--
Three-phase	4COA16	4	40	2.67	160	495	0.95	2800	180, 280, 360	--
Three-phase	4COA25	4	40	4.17	250	800	1.40	2800	180	--

Standard Voltage 4COA 380-440V/three-phase/50Hz
9COA 230-240V/single-phase/50Hz

Motor Protection IP44
Motor Cooling IC00-41

Operational Conditions

Climatic Conditions to EN 60 721-3-3 a) moderate WT
b) tropical hot WDa

Category of Placement to EN 60 721-3-3 3K4, 3B1, 3C2, 3S2,2M3

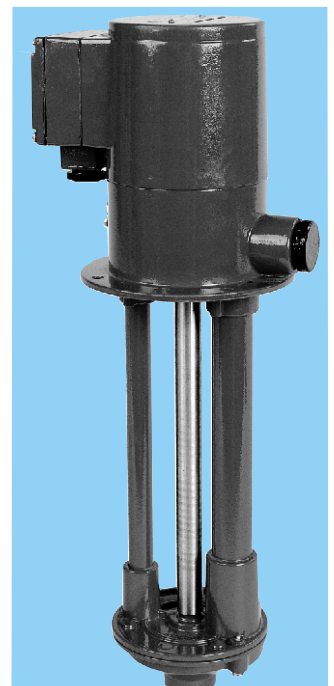
Altitude up to 2000 metres

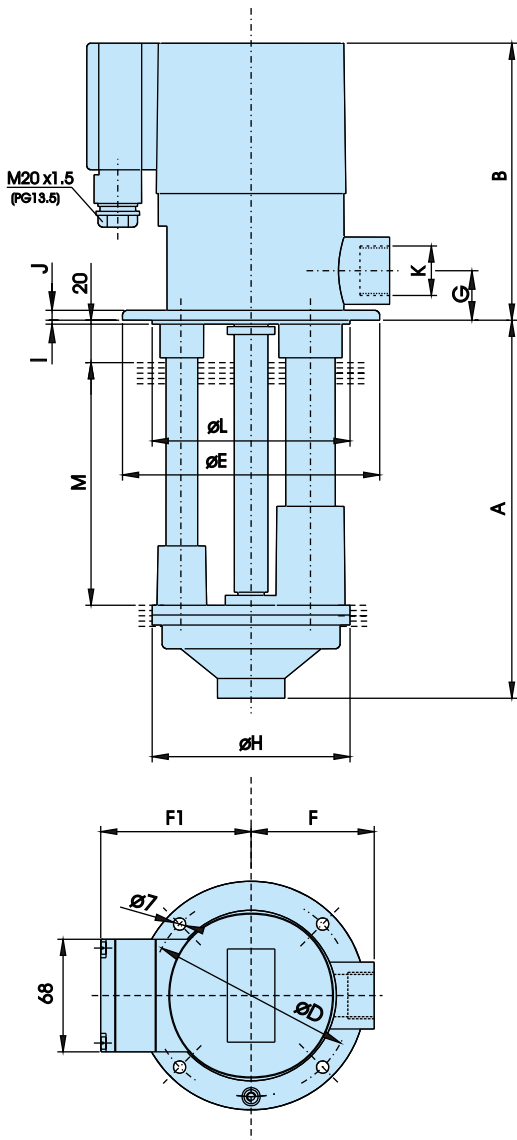
	EXECUTION					
	Standard		Stainless Steel - AV2		Acid Resistant - AV	
	...COA 2,4,6	...COA 10,16	...COA 2,4,6	...COA 10,16	...COA 2,4,6,10,16	
Pump Chamber	Aluminium	Aluminium	Aluminium	Aluminium	Bronze	
Tubes	Steel	casting	Brass	casting	casting	
Propeller	Plastic* or Aluminium	Plastic*	Plastic or Aluminium	Plastic*	Bronze	
Shaft	Mild Steel to BS4360-79 Grade 55C		Stainless Steel to BS970/4-70 Grade 420 S 37		Stainless Steel to BS 970/1-83 Grade 316 S 13	
Chamber Lid	Aluminium		Aluminium		Bronze	

Standard execution is usually available ex-stock. Stainless Steel and Acid Resistant executions are available at a lead time.

Note ! Not all sizes are available in Stainless Steel and/or Acid Resistant executions. Ask for details !

*Oil-resistant Plastic Material

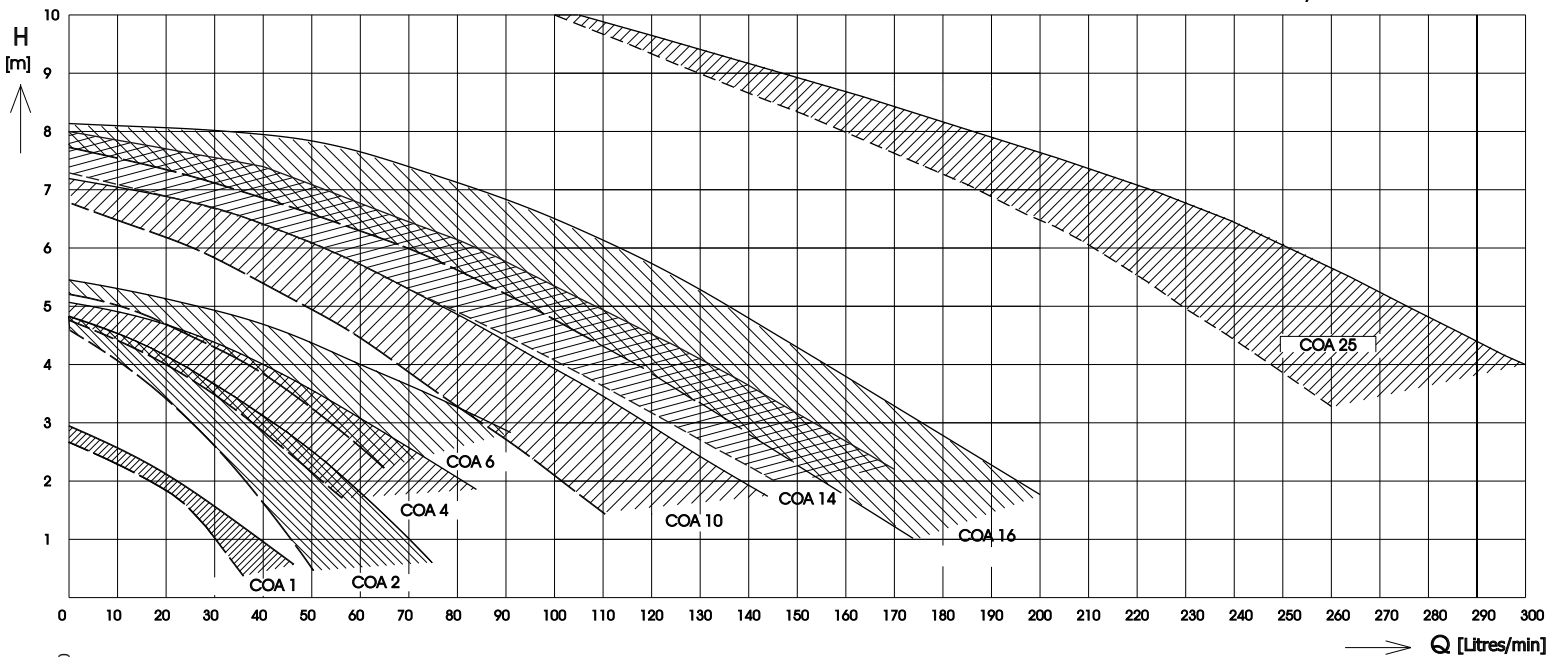




TYPE	A	B	D	E	F	F1	G	H	I	J	K	L	M	Weight [kg]
...COA 1-09	90												59	3.9
...COA 1-10	100												69	3.9
...COA 1-12	120												80	4.0
...COA 1-14	140	150	115	130	70	90	25	99.5	2.5	5	G ¾"	100	100	4.0
...COA 1-17	170												130	4.1
...COA 1-22	220												180	4.2
...COA 1-27	270												230	4.3
...COA 2-09	90												59	3.9
...COA 2-10	100												69	3.9
...COA 2-12	120												80	4.0
...COA 2-14	140	150	115	130	70	90	25	99.5	2.5	5	G ¾"	100	100	4.0
...COA 2-17	170												130	4.1
...COA 2-22	220												180	4.2
...COA 2-27	270												230	4.3
...COA 4-10	100												69	4.2
...COA 4-12	120												80	4.3
...COA 4-17	170	156	115	130	70	90	25	99.5	2.5	5	G ¾"	100	130	4.4
...COA 4-22	220												180	4.5
...COA 4-27	270												230	4.6
...COA 6-12	120												80	5
...COA 6-17	170	171	115	130	70	90	25	99.5	2.5	5	G ¾"	100	130	5.1
...COA 6-22	220												180	5.2
...COA 6-27	270												230	5.3
...COA 10-17	170												110	7.3
...COA 10-27	270	231	160	180	100	100	32	130	4	8	G 1¼"	140	210	7.8
...COA 10-35	350												290	8.2
...COA 14-17	170												110	7.3
...COA 14-27	270	231	160	180	100	100	32	130	4	8	G 1¼"	140	210	7.8
...COA 14-35	350												290	8.2
...COA 16-18	180												110	8.1
...COA 16-28	280	231	160	180	100	100	32	130	4	8	G 1¼"	140	210	8.6
...COA 16-36	360												290	9
...COA 25-18	180	276	160	180	100	100	32	138	4	8	G 1¼"	140	90	9.7

Curves of 3COA (9COA) pumps (viscosity 1 to 150 mm². s⁻¹)

— Viscosity = 1 mm². s⁻¹
 - - - Viscosity = 150 mm². s⁻¹



EX.021.4600

All data and dimensions are subject to change without notice.