

SECTIONAL DOOR OPENER



WARNING: IT IS VITAL FOR THE SAFETY OF ALL PERSONS INSTALLING AND USING THIS OPENER TO FOLLOW THE INSTALLATION INSTRUCTIONS AND SAFETY WARNINGS. FAILURE TO COMPLY MAY RESULT IN SERIOUS PERSONAL INJURY AND/OR PROPERTY DAMAGE AND FAILURE OF THE OPENER SYSTEM.

INSTALLATION & OWNERS MANUAL

Index

CONTENTS	3
IMPORTANT SAFETY WARNINGS	3
DESCRIPTION	3
OPERATING CONTROLS	4
INSTALLATION INSTRUCTIONS	5
DESCRIPTION OF THE CONNECTIONS	8
PROGRAMMING THE UNIT	8
SETTING OF OPEN AND CLOSE POSITIONS	9
ADJUSTMENTS	9
FUNCTION MODES	9
SELF-LEARNING TRANSMITTER	10
MAINTENANCE	10
TECHNICAL SPECIFICATIONS	10
FINAL NOTES	10
INFORMATION FOR THE USER	11
IMPORTANT SAFETY WARNINGS	12
USING YOUR OPENER	15
MANUAL OPERATION	15
OPERATING CONTROLS	16
CODING ADDITIONAL HANDSETS	16
CHANGING LIGHT GLOBES	16
CHECKING THE SAFETY REVERSING SYSTEM	16
PERIODIC CHECK UP AND MAINTENANCE	17

To the extent that they may be lawfully excluded, our company hereby expressly excludes all conditions and warranties, statutory or otherwise, which may be implied by law as conditions or warranties of purchase of our company's garage door openers. Our company hereby further disclaims and rejects to the maximum extent permitted by law any liability or responsibility whatsoever for any direct, indirect, consequential, incidental or other injury, damage, cost, expense or loss whatsoever incurred or suffered by any person, company, firm or organization as a result of any failure to install the garage door opener in accordance with these installation instructions.

Contents

No	Package	Part			
1	Motor	No	Description	Qty	Remark
		1	Motor	1 Set	
		2	Transmitter	2 Pcs	Transmitter
		3	Remote Wall Switch	1 Pc	
		4	Remote Wall Switch Bracket	1 Pc	
		5	Disengagement Cord	1 Pc	
		6	Clutch	1 Pc	
		7	Bracket	1 Pc	For Track
		8	Bracket	1 Pc	For Door Panel
		9	Strapping	4 Pcs	For Rail
		10	Connector	2 Pcs	For Door Panel
		11	Bolts/Nuts	1 Set	
12	Installation & Owners Manual	1 Pc			
2	Rail	1	Extrusion	1 Set	

Important Safety Warnings

The S600- II garage door opener described in this manual is designed for the automation of residential sectional overhead doors and one piece overhead tilting doors. Any other use is considered improper and will void the warranty.

WARNING:

You are carrying out operations on machine systems classified in the automatic gates and doors category and as such failure to comply with the relevant safety rules may result in serious personal injury and/or property damage. Reference to the safety rules can be found on pages 2-4 of the owners manual and should be read and understood prior to installation.

Only qualified personnel should install and service the equipment. It is the responsibility of the installer to adhere to all relevant safety standards.

Description

The S600- II garage door opener requires a 110/220VAC 50Hz power input and has a 24V DC 100W motor and can provide 'Hold to Run' control and automatic modes for operation. When the door is in operation, movement can be interrupted by activation of the safety inputs (manual pull cord, transmitter, wall button (if fitted) and photo beams (if fitted).

An encoder sets open and close positions and braking during the end of the travel cycle reducing speed and noise.

Unqualified personnel or those who do not know the occupational health and safety standards applicable to automatic gates and doors category must under no circumstances carry out installations or implement systems.

Persons who install or service the equipment without observing all the applicable safety standards will be held responsible for any damage, injury, cost, expense or claim whatsoever suffered by any person as a result whether directly or indirectly from failure to install the system correctly and in accordance with the relevant safety standards and installation manual.

For a more detailed list of the Safety Warnings and Safety Issues associated with the installation and use of a sectional door opener refer to the safety warnings in the OWNERS MANUAL.

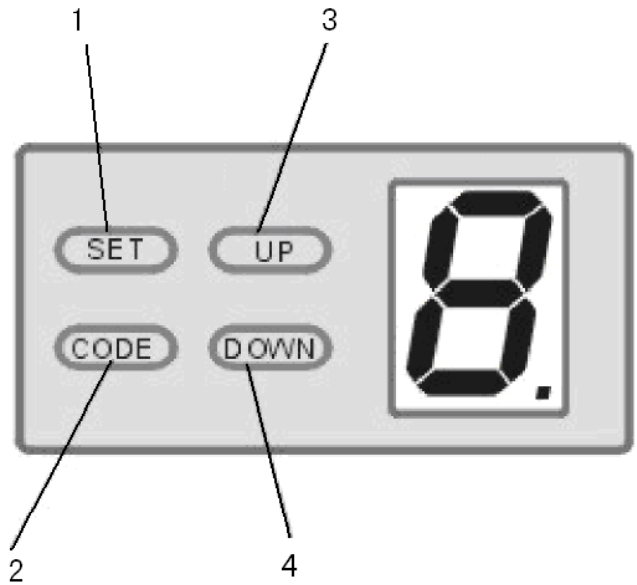
A 433.92MHz radio receiver is built into the circuit board and the rolling code is memorized with the self-learning technique. As an alternative to the built-in receiver the unit will accept any of the range of stand alone radio receivers. The unit has been designed to provide maximum reliability, safety and flexibility of use.

IMPORTANT:

Before starting to install the unit read all of the instructions carefully and make sure you are familiar with the safety warnings included in this manual and in the OWNERS MANUAL.

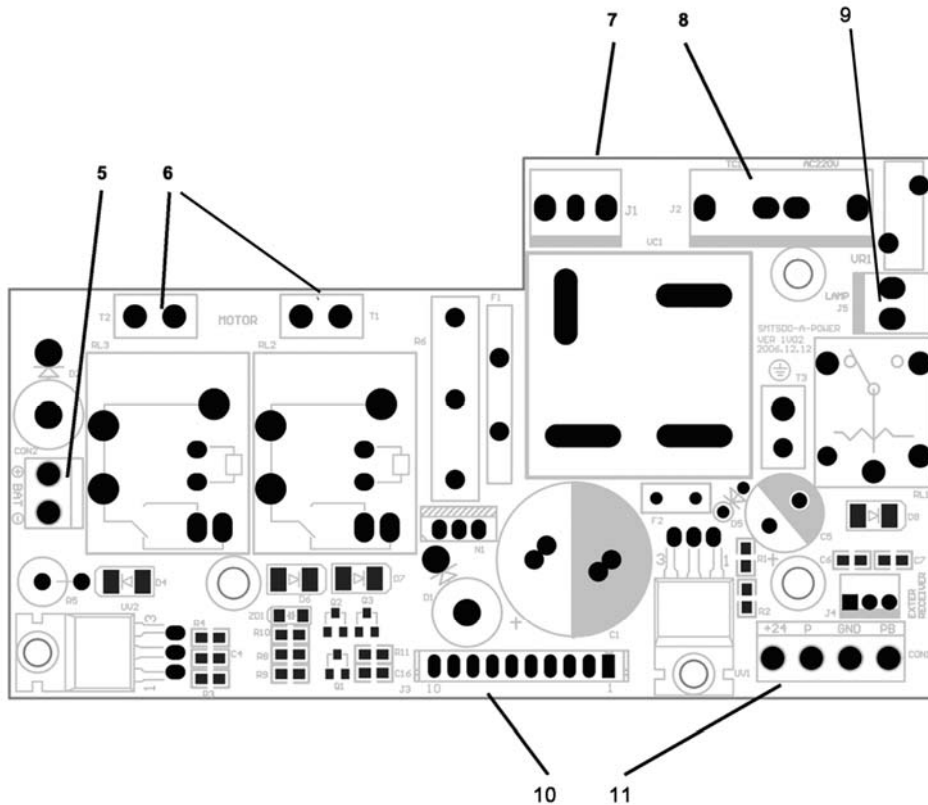
Operating Controls

- 1 (SET Button) Confirm set and Reversing sensitivity.
- 2 (CODE Button) Transmitter code set.
- 3 (UP button) Limit mode set.
- 4 (DOWN button) Limit mode set.



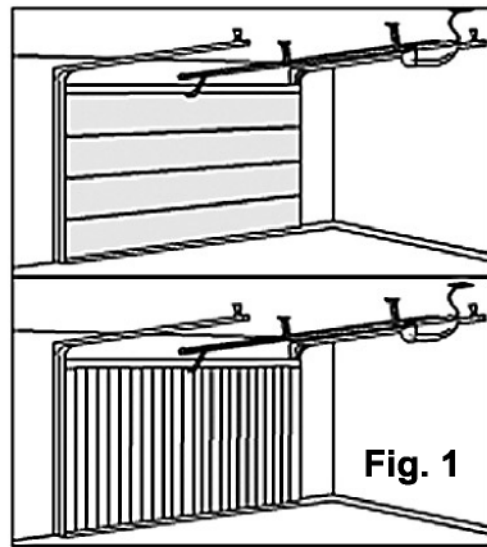
Circuit Board Connectors

- 5 Coupling for connecting the backup battery.
- 6 Coupling for connecting the motor.
- 7 Coupling for the power transformer.
- 8 Terminal for connection of power input and transformer.
- 9 Terminal for connection of run lamp.
- 10 Terminal connector to control board.
- 11 Terminal for connection of photo beam or push button.



Installation

- 1). Read the instructions carefully.
- 2) Make sure the door structure is solid and suitable to be motor driven.
- 3) Make sure that when the door is moving there are no friction points.
- 4) The door must be properly balanced and must be easily lowered and raised by hand.
- 5) Install a 220V, adequately protected 3-pin socket near where the S600- II opener is going to be installed.



Sectional
Overhead Door
H max. 2600mm

Tilting
Overhead Door
H max. 2600mm

Fig. 1

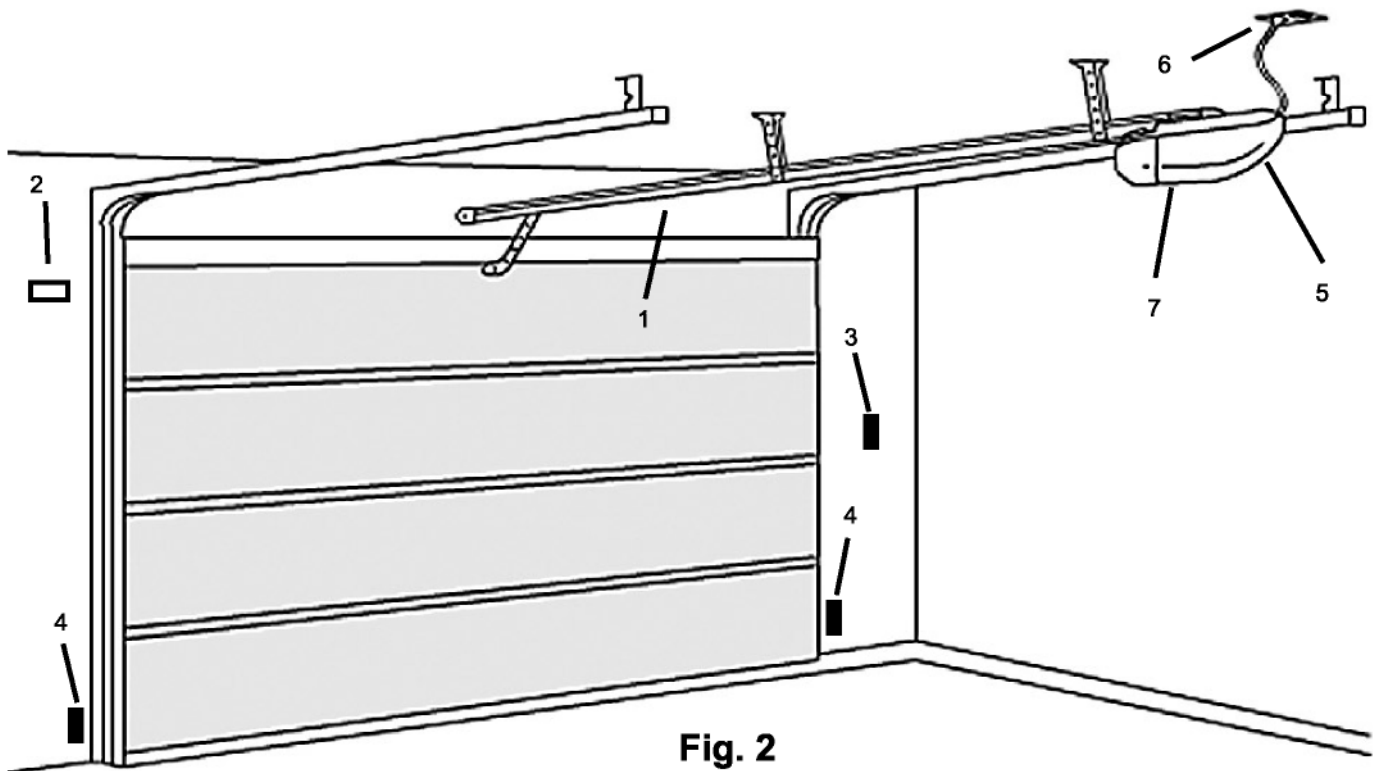


Fig. 2

Refer to Fig. 2 for recommended installation

- | | |
|---|-----------------------------|
| 1) S600- II sectional door opener | 5) Inside push button panel |
| 2) 24V DC flashing light (optional extra) | 6) Power point |
| 3) Key selector switch or digital keypad | 7) Power head |
| 4) Photo beam (RX/TX Type) | |

CHAIN SHUTTLE ASSEMBLY

For ease of installation the S600- II opener is delivered with the chain and chain index already assembled in the track. If you need to assemble it yourself connect the chain index to the chain refer (Fig.3) .Tighten Screw (C) (Fig.4b) until the chain is reasonably tight. Do not over tighten, but do not leave it too slack. Grease the chain and sprocket with a lithium type grease or equivalent. Do not use oil type lubricants.

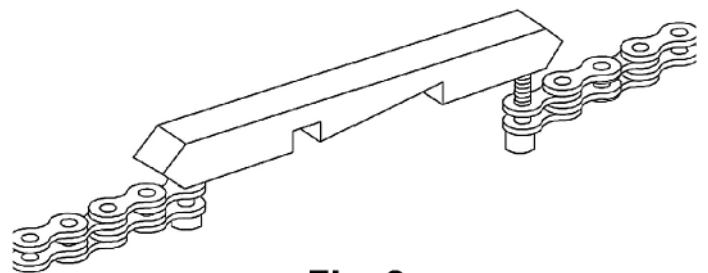


Fig. 3

Installation

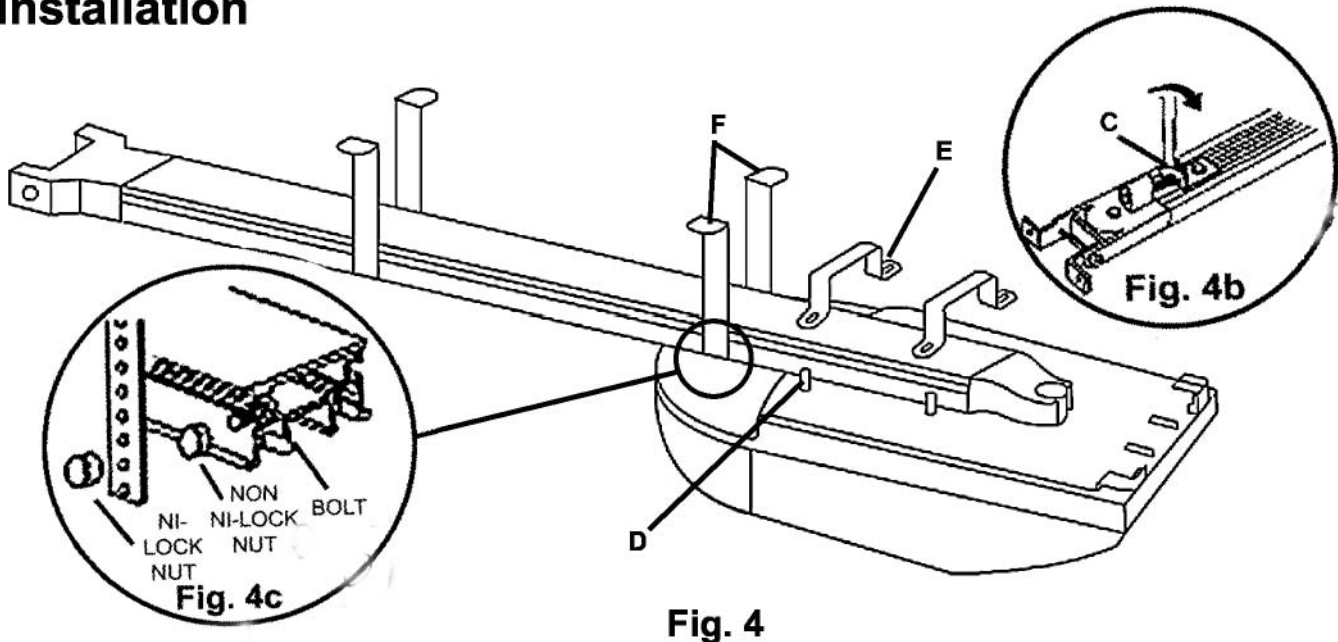


Fig. 4

- 1.1) Place track onto powerhead so that the track slides into spline shaft. Position the brackets (E) on the studs and secure in place using ni-lock nuts supplied. Lock the brackets to the rail by tightening the ni-lock nuts. Do not over tighten the nuts.
- 1.2) Remove excess chain slack by tightening the chain tightening screw (C) in (Fig. 4b). Do not over tightening the chain, just enough to remove the slack.
- 1.3) Fix the S600-II opener to the lintel or to the ceiling with the correct fixing (Fig.5), maintaining a minimum gap of 30mm from the top panel's maximum height (Fig. 6). Check measurements before drilling.
- 1.4) Insert the bolts supplied into the cutouts on both sides of track at power head end. Slide bolts on track to the correct hanging location to pick up noggins or fixing points. Place non ni-lock nuts onto the bolt(ref Fig. 4c) and tighten. Place brackets (F) onto bolt so that it sits against the nut and secure with ni-cock nut supplied –do not over tighten.
- 1.5) Fix the opener to the ceiling with appropriate fasteners (Fig.7). Cut off any fixing strap excess.
- 1.6) Assemble straight arm and hockey stick using bolts and nuts provided. Connect arms to door bracket with pin and retainer clip and arms to shuttle on opener with allen head bolt provided in shuttle.

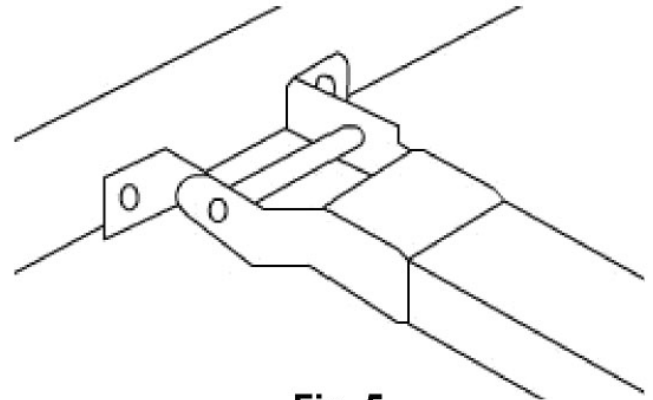


Fig. 5

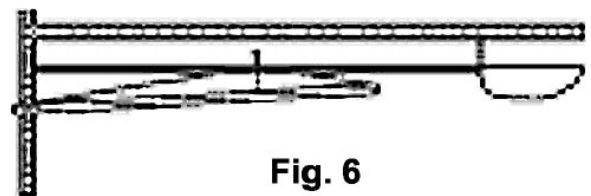


Fig. 6

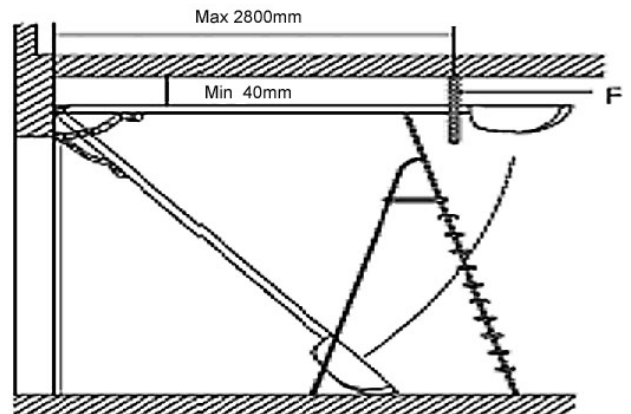


Fig. 7

Warning: Make sure the opener is affixed to nogings in ceiling and not just to plasterboard. Failure to have a safe and secure fixing will lead to opener falling causing serious personal and /or property damage.

Note: A set of fixing straps should be located in the centre of the aluminum rail to prevent rail flex that will result in phantom reversing.

Installation

Remember there are specific standards that have to be strictly followed regarding the safety of electrical installations and automatic gates and doors.

As well as the legal requirements and standards that must be adhered to, please take note of the following points to ensure maximum safety and reliability of your installation.

- 2.1) Prior to installing check the surrounding environment. Carefully evaluate any hazards there could be from physical damage (transiting vehicles, parts of trees falling etc.), possible contact with foreign bodies (insects, leaves, etc.), Flooding hazards or any others exceptional events.
- 2.2) Check that the main voltage is the same as that given on the rating plate and in this manual.
- 2.3) Check there is suitable electrical protection against short circuits/power spikes and proper on the main supply.

Remember the unit has mains voltage running through it (electrocution hazard, fire hazard).

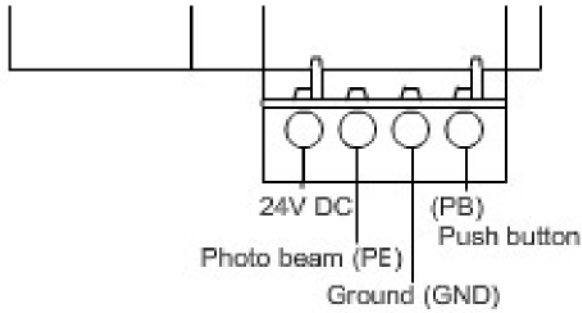
- 2.4) Take care with the control unit; parts may be subject to damage if abused.
- 2.5) Make sure you have all the necessary materials and that they are suitable for this kind of use.

- 2.6) Read all the instructions thoroughly and make sure they are understood before attempting to install the S600- II .
- 2.7) Before starting the installation, carefully analyze all the risks relating to automating the door. Verify that the door to be automated is in a sound condition and that the mechanisms are in good working order; observe the safety margins and minimum distances.
- 2.8) Evaluate with particular care the safety devices to be installed and where to install them; always install an emergency stop device for interruption of power to the opener if required.
- 2.9) Once the risks have been analyzed, install the S600- II opener and relative safety devices, emergency stop and/or photoelectric cells.

Important: For additional safety we strongly recommend the fitting of Photo Electric safety beams on all installations.

- 2.10) When installing our company's opener, strictly follow all the instructions given in the instruction manual. If some points or procedures in this manual are not very clear do not install the unit until all doubts have been cleared up with our technical depart

Terminals and Connections



- 1) GND & PB: Step by step command input (open stop close) same as the step by step button on the transmitter.
= **Push Button** terminal
- 2) GND & PE = **Photo Beam** terminal.
- 3) 24V & GND & PB = **Plug in receiver** terminal.

To safeguard the opener and avoid damaging components while wiring disconnect the unit from all power when working on it.

Remember that there are specific, strict standards that must be complied with in regard to both the safety of the electrical systems and automatic doors.

Only qualified, trained personnel may carry out the installation and subsequent maintenance in compliance with Chinese standards.

Whoever installs and uses the S600- II sectional door opener will be held responsible for any damage caused.

NOTE: Contact S600- II technical department for the wiring diagram for the above connections if uncertain of the correct procedure.

Programming the Unit

The system must be checked and tested when connections are completed.

- 3.1) Check that the chain support is halfway so that movement is problem free both in opening and closing.

Make sure that all the standards relative to the automatic gates and doors category have been observed.
- 3.2) Now carry out a test with the door disconnected from the motor and open and close the door to verify that the mechanical parts are all in good working order and the door does not bind or jamb in its tracks.
- 3.3) Power the unit. As soon as the unit is powered the system displays a 7-segment LED number from 0-9, and the lamp will turn on for 2 seconds.

If the LED display is upside-down, press the SET button once, then the LED will display the number in the correct direction. The system will remember the display direction. It will display correctly next time the power is turned back on.

If this is not the case, switch the power off immediately and check connections carefully.

- 3.4) Check that all the safety devices on the unit are working properly (emergency stop, photo beam, etc.). This is one of the most important checks and must be done with great care; in fact, the active safety of the automatic door depends on the correct functioning of the safety devices. The reversing sensitivity device is of great help in minimizing damage but only the correct installation of the safety devices will make it possible to stop the door before it can cause any damage or injury to person and/or property.
- 3.5) It is now time to set the opening and closed position.

Setting Open and Close Positions

- 4.1) Press and hold SET until the LED displays the number "1". It turns into opening position learn state.
- 4.2) Now press UP again and hold, the door will travel to the open position, release the button when the door has reached the desired position.
- 4.3) If the door has overrun its position, press DOWN to move the door downwards. Adjust and fine tune the position by pressing UP and DOWN.
- 4.4) Press SET to set the open position the LED will display the number "2", it is now time to set the closed position.
- 4.5) Press and hold DOWN, the door will travel to the close position release DOWN when the door has reached the closed position.
- 4.6) If the door has overrun its position, press the UP to move the door upwards. Adjust and fine tune the position by pressing DOWN and UP.
- 4.7) Press the SET to confirm.

The door will now open and close automatically to map the open and close sensitivity force requirements.

WARNING: Keep all persons and property clear of door during the installation process.

- 4.8) The door is now set for normal operational mode.

IMPORTANT: Safety systems must be checked regularly to ensure that maximum safety is maintained at all times.

Note: If you are not happy with the limited setting. Go back to step 4.1 to set new limits.

Adjustments

Normally, the force settings are automatically set and adjustment is not necessary. However, the force can be adjusted by an authorized installer for special purposes if necessary.

- 5.1) Press SET and hold, the LED will display a setting number from "1" to "3", release SET, it is now in force adjustment mode.
- 5.2) Press UP to increase the force one-degree and press DOWN to decrease one degree maximum degree is 9(max.) and the minimum is 1(min.).
- 5.3) Press SET to confirm.
- 5.4) The door meets the hinders will rebound 15 --20cm.

Function Modes

The unit has two selectable functioning modes, PHOTO BEAM , AUTO CLOSE DOOR and LOCK DOOR.

6.1) PHOTO BEAM:

Make sure the photo beam has been installed correctly before setting the PHOTO BEAM function.

- 6.1.1) Press DOWN holding until the LED displays –
- 6.1.2) Press DOWN once, the LED displays "I" the photo beam is now disabled. Press DOWN again the LED displays "H", the photo beam is enabled.
- 6.1.3) Press SET to confirm and quit.

6.2) TO SET AUTO-CLOSE ON / OFF :

- 6.2.1) Press UP and hold until the LED displays "–"
- 6.2.2) Press button UP once, the auto close time will increase 1 minute; Press button DOWN once, the auto close time will decrease 1 minute, the LED display the current set value.
- 6.2.3) The Auto Close function will be disabled when the setting time is "0".
- 6.2.4) Press button SET to confirm and quit while the correct time is setting.
- 6.2.5) No requiring set again even the power dropped.

6.3) LOCK DOOR:

- 6.3.1) Press SET and hold, the LED will display a setting number from "1" to "4", release SET, it is now in lock door mode.
- 6.3.2) If press UP, LED displays "1", lock door have the effective or press DOWN, LED display "0" unlock door have the effective.

Self Learning Transmitter

Note: The S600- II opener might be supplied with the transmitters already coded (depending on country) .Please test all transmitters to confirm if they are coded prior to starting step 6.1.

- 6.1) Press CODE, release until the LED displays. Press a button on the transmitter then release and press again the dot will flash to confirm the code.
- 6.2) Repeat step 1 to code a maximum of 20 different transmitters' and/or buttons.
- 6.3) To delete all stored codes. Press and hold CODE the LED displays dot flash, keep more than 8 seconds until the LED display "C" all the setting will be deleted.

Maintenance

No particular maintenance is required for the logic circuit board.

Check at least twice a year the door is properly balanced and that all working parts are in good working condition.

IMPORTANT: A poorly operating door can affect the life of the automatic opener due to incorrect loads and will void the warranty.

Check the reversing sensitivity at least twice a year and adjust if necessary.

Make sure that the safety devices are working effectively (photo beams, etc.)

Final Notes

This manual is only for use by technical personnel qualified to carry out the installation.

No information given in this manual can be considered of any interest to the end user.

No setting or adjustments contained in this manual can be carried out by the end user.

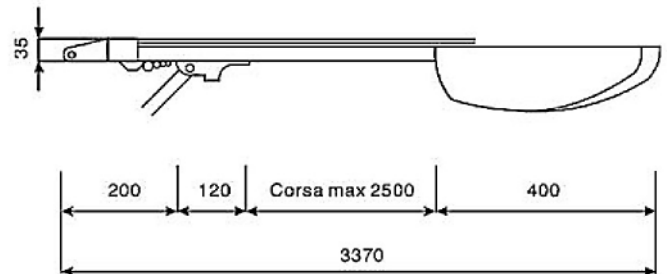
It is important for the installer to show their clients correct operational use of the S600- II including the use manual disengagement cord.

Inform the owner about the need for a regular and accurate maintenance, especially regarding a regular check of the safety and reversing devices.

Technical Specifications

Power Input:	110/220 VAC ±10%
Motor:	50Hz 24V DC 100W
Courtesy light time:	3 minutes
Working temperature:	-20° ~ 70°C
Relative Humidity:	<90%
Open and close force:	600 N
Reception frequency:	433.92MHz
Sensitivity:	>1 V for correct receiver signal (average range 50m, with an aerial)
Decoding:	Rolling code 23A
Transmitter power:	12V Battery
Globe:	24V 5 watt screw type

NOTE: Our company reserves the right to modify its product and product specifications at any time without prior notice.



Typical Application

The S600- II (max.2500mm travel) model can automate sectional overhead doors up to a height of 2600mm and tilting overhead doors up to 2600mm.

Manual Disengagement

The S600-II is equipped with a manual release cord to disengage shuttle and move door by hand while holding the handle down (Fig 8). To operate pull on the handle to disengage the shuttle. To re-engage the door simply run opener in automatic mode or move door by hand until the trolley engages in the chain shuttle.

For situations where a pedestrian door is not present it is recommended that an external disengagement device is

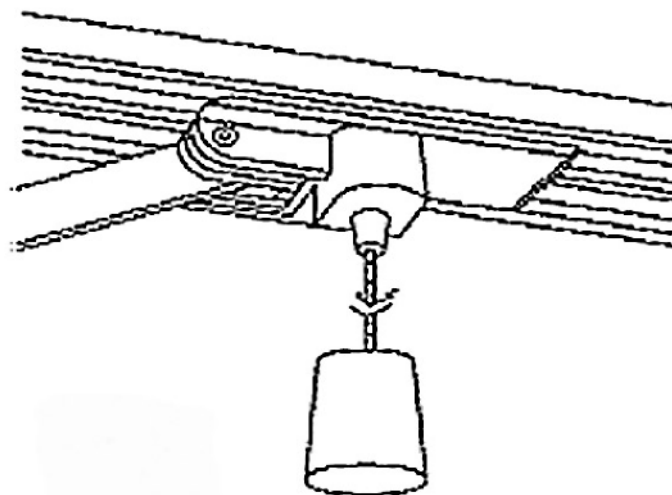
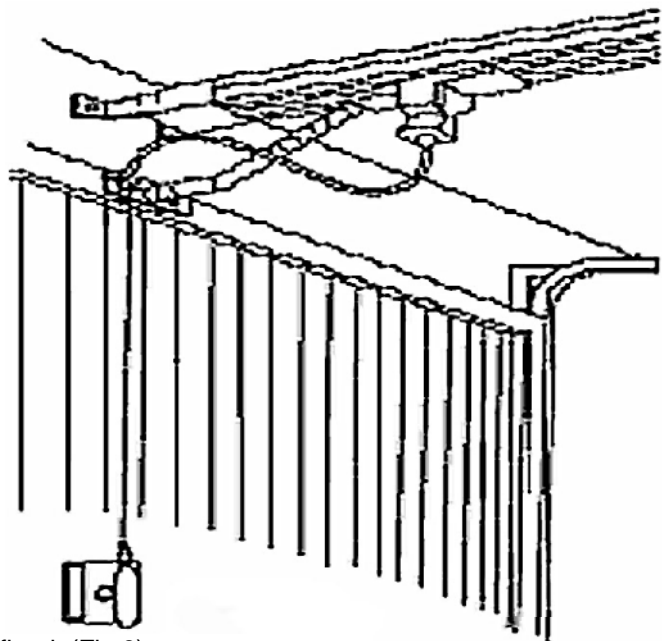


Fig. 8



fitted. (Fig 9).

Fig. 9

Important Information for the User

Once the S600-II opener has been installed, the user must be informed about how it works and all the risks that can arise if it is used improperly. The user must avoid placing himself/herself in dangerous situations such as standing within the door's operating range when it is moving.

Do not let children play near the door and keep the remote controls out of their reach.

All servicing, repairs or checks must be carried out by professionally qualified personnel and noted on a maintenance register kept by the user.

Information for the user is found in the USERS/OWNERS MANUAL included with this opener.

IMPORTANT: Please make sure the USERS/OWNERS MANUAL is passed on to the owner prior to leaving the installation.

IMPORTANT: In the case of a malfunction the user must call an authorized installer and should not attempt to repair it.

Important Safety Warnings

WARNING: IT IS VITAL FOR THE SAFETY OF ALL PERSONS INSTALLING AND USING THIS OPENER TO FOLLOW THE INSTALLATION INSTRUCTIONS AND SAFETY WARNINGS. FAILURE TO COMPLY CAN RESULT IN SERIOUS PERSONAL INJURY AND/OR PROPERTY DAMAGE AND FAILURE OF THE OPENER SYSTEM.

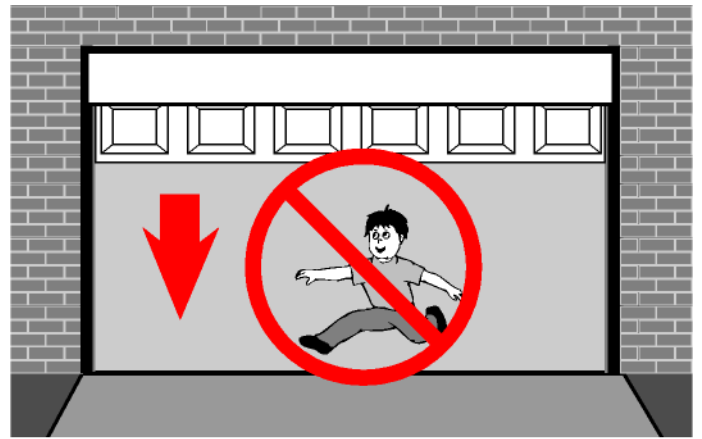


Look for this Safety Alert Symbol (left). This symbol indicates a potential personal safety hazard that can result in serious personal injury or death and/or property damage.

A garage door is the largest moving object in the home. With the installation of your S600-II product your door is now operated by an electric door opener. Proper installation, operation, **maintenance**, and testing of the garage door and automatic opener are necessary to provide safe, trouble-free operation.

An improperly adjusted garage door or automatic opener can exert deadly force when the door closes. This could lead to serious injury or death from being hit by a closing garage door or from being trapped under the door.

A few simple precautions can protect your family and friends from potential harm. Please take a few minutes to read the following safety tips.



Do not stand or walk under a moving door!

Do not let children or adults play "beat the door." It is dangerous and can result in serious injury or death. Adults should set a good example. Know how to use the manual emergency release in case someone is pinned by the door.



The door opener is not intended for use by young children or infirm persons without adequate supervision. Young children should be supervised to ensure that they do not play with the equipment. Do not let children play with or use the transmitters or remote controls.

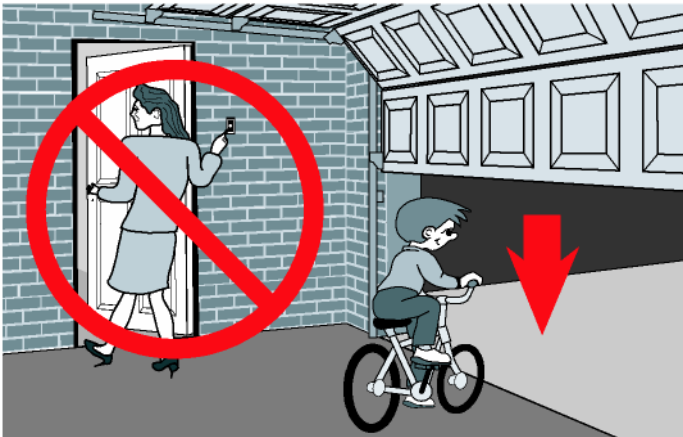
Always place and store them out of the reach of children.



The push button wall control should be out of reach of children and mounted a minimum of 1.5m from the floor and away from all moving parts. Install and use the button where you can clearly see the moving garage door.

Garage door openers are not toys.

Careless operation and allowing children to play with or use garage door opener controls can lead to tragic results. Discuss garage door safety with your children. Explain the danger of being trapped under the door.



When using the push button or transmitter, keep the door in sight until it completely stops moving.

Teach children never to play under or near an open garage door. **DO NOT** operate the garage door opener when children/persons are near the door. Children must be supervised near the garage door at all times when the door opener is in use.



Teach children to keep their hands and fingers clear of section joints, hinges, track, springs, and other door parts.

Contact with a moving door or its hardware could cause injury. These injuries can also happen with garage doors that don't have automatic openers.

Important Safety Warnings



For **ADDITIONAL SAFETY** protection we **STRONGLY** recommend the installation of Photo Electric Safety Beams. In most countries Photo Electric Safety Beams are mandatory on all garage doors and gates fitted with automatic openers. For a small additional cost we recommend that Photo Electric Beams be installed with the automatic opener ensuring additional safety and peace of mind.



Regularly check to make sure that the **SAFETY REVERSING SETTING** is working correctly, and is **TESTED** (by placing a 40mm high object on the floor) and set as per the installation instruction manual. Failure to follow these instructions may result in **SERIOUS PERSONAL INJURY**, property damage and/or death. This test must be repeated at regular intervals and the necessary adjustments made by a qualified technician as required.



The opener should be installed so that it is protected from the weather. It should not be exposed to moisture or rain. Immersion in water or spraying directly or indirectly by a hose or other water carrying device will render the product beyond repair and may lead to electric shock.



The garage door must be **WELL BALANCED**. Sticking or binding doors must be repaired by a qualified garage door installer prior to installation of your opener.



Frequently examine the door, in particular cables, springs and mountings. **DO NOT** attempt to repair the door yourself as door hardware is under extreme tension. Contact with the door can cause **SERIOUS PERSONAL INJURY**, property damage and/or death.



Only **EXPERIENCED** we service personnel should remove covers from your opener.



Only connect the garage door opener to a properly **EARTHED** general purpose 240V mains power outlet installed by a qualified licensed electrical contractor.



REMOVE THE POWER CORD from mains power before making any repairs or removing covers.



If the power supply cord is cut or damaged, it **MUST** be replaced immediately by a service agent or suitably qualified person.



When using auto close mode, a **PHOTO ELECTRIC BEAM** must be fitted correctly and tested for correct and safe operation at regular intervals. **EXTREME CAUTION** is recommended when using auto close mode. **ALL SAFETY RULES** in the installation and owners manuals must be followed to avoid serious injury, property damage and/or death.



In order for the garage door opener to **SENSE** an object coming in contact with the door, some **FORCE** must be exerted on the object. As a result the object, door and/or person may suffer **DAMAGE or INJURY**.

Using Your Opener

Congratulations on choosing our remote control garage door opener from our company.

Once the opener has been installed you must be familiar with how it works and all the safety issues that can arise by owning a garage door fitted with an automatic opener.

If used and maintained correctly your opener will give you many years of trouble free convenience. Remember your garage door and opener is probably the most often used mechanical item in your house and nothing could be more convenient than pressing a button and driving into your garage in the pouring rain and closing the door behind you. Remote control convenience is often overlooked but performs a major role in your day to day activities.

Manual Operation

The S600-II opener is equipped with a manual disengagement device to enable you to open and close the door in case of electrical failure, system malfunction or fire. (Fig 8)

External access device (Fig 9) (optional)

- 9.1) To disengage door to manual operation make sure power is off. Pull on red cord with minimum pressure until you hit resistance. Do not pull the cord with excessive force otherwise damage to opener will occur.
- 9.2) To reengage door to automatic operation make sure power is off.

IMPORTANT: IF YOUR ONLY ENTRY TO YOUR GARAGE IS VIA THE GARAGE DOOR WE STRONGLY RECOMMEND THE FITTING OF A EXTERNAL KEY RELEASE DEVICE (SEE FIG 2)

Operating Controls

- 1 (SET Button) Confirm set and Reversing sensitivity
- 2 (CODE Button) Transmitter code set
- 3 (UP Button) Limit mode set.
- 4 (DOWN Button) Limit mode set.

Coding Additional Handsets

- 3.1) Press CODE, release until the LED displays. Press a button on the transmitter then release and press again the dot will flash to confirm the code.
- 3.2) Repeat step 1 to code a maximum of 20 different transmitters' and/or buttons.
- 3.3) To delete all stored codes, Press and hold CODE for 8 seconds until dot turns off, all stored codes have now been deleted.

Changing Light Globes

- 4.1) To change light globe locate white diffuser cover located on bottom end of opener.
- 4.2) Unclip light diffuser by applying pressure to release tab located where top of light diffuser meets top chassis.
- 4.3) Unscrew light globe and replace with new light globe. The type of globe required is a 24 volt 5 watt screw type reinforced construction globe.

WARNING: Do not try and use any other type of globe other than the one specified.

- 4.4) Clip white light diffuser back into position.

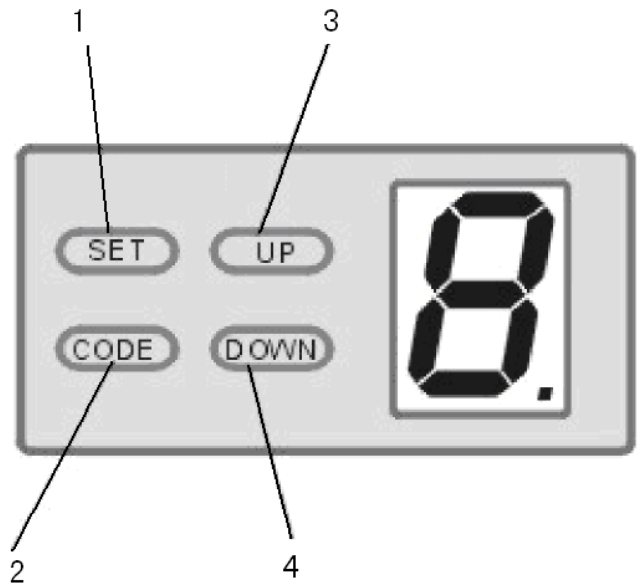


Fig. 10

Checking the Safety Reversing System

- 5.1) Open the door fully. Place a 50mm high piece of timber on the floor to act as an obstruction.
- 5.2) Close the door onto the obstruction. The door should pause momentarily then reverse. If the door does not reverse automatically switch the door to manual operation and discontinue use of the opener. Contact an authorized opener technician for immediate service.

Periodic Check Up and Maintenance

Your garage door opener like any mechanical device requires periodic maintenance and checking to make sure the door and opener is not only functioning correctly but safely as well.

It is often the most overlooked device in the home but probably requires the most attention than any other device in the home.

IMPORTANT: A poorly operating door can affect the life of the automatic opener due to incorrect loads and will void the warranty.

Check the reversing sensitivity at least twice a year. If the opener requires excessive force to make it reverse

IMPORTANT: In the case of a malfunction the user must call an authorized installer and should not attempt to repair it.

The system is considered unsafe and requires immediate service by a qualified installer. Do not attempt to rectify the problem yourself.

Make sure that the safety devices are working effectively (photo beams, etc.) If not functioning correctly the system is considered unsafe and requires immediate service by a qualified installer. Do not attempt to rectify the problem yourself.

The door and door opener is an extremely dangerous device which can lead to serious personal injury and /or property damage and/or death. Fatalities have occurred in the United States and other parts of the world by consumers attempting to rectify problems themselves.

Feb. 2008. The supplier reserves the right to change and alter specifications and model numbers and types without notice.